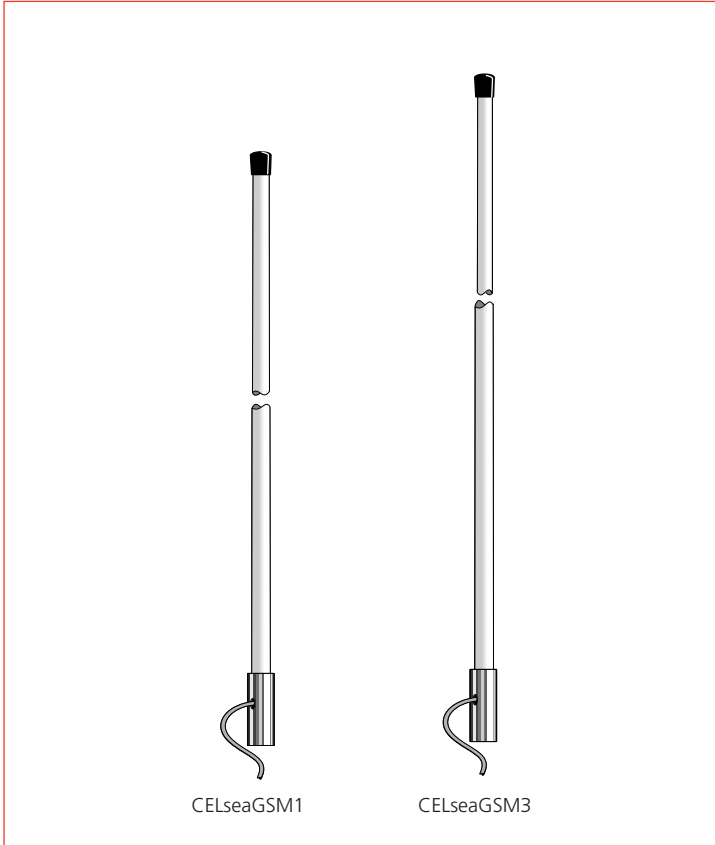


General Description



CELseaGSM1

CELseaGSM3

CELseaGSM1 and CELseaGSM3

The CELsea series of marine antennas for cellular GSM applications are ruggedly designed to perform in the most demanding environments.

Both models feature copper and copper alloy internal construction.

For installation on 1"-14 mounting hardware.

CELfour

New 4-band cellular antenna covering all US, European and Asian frequencies.

Rugged design to withstand the all weather conditions.

Electrical Specifications

Model:	CELseaGSM1	CELseaGSM3	CELfour
Frequency Range - [MHz]	890-960	890-960	825-895/880-960/1710-1880/1850-1990
VSWR	< 1.5:1	< 1.5:1	< 1.5:1
Gain - [dBd/marine dB]	0/3	3/6	0/3
Polarization	Vertical	Vertical	Vertical
Connector Termination	6 m/20 ft. RG58C/U	6 m/20 ft. RG58C/U	N-Female
Maximum Power [watts]	50	50	25w
Impedance - [Ω]	50	50	50
DC-Grounded	Yes	Yes	Yes

Mechanical Specifications

Model:	CELseaGSM1	CELseaGSM3	CELfour
Length - [m/ft.]	0.5/1.64	1.13/3.7	0.1/0.32
Weight - [kg/lbs.]	0.4/0.9	0.6/1.3	0.49/1.1
Mounting Supplied	-	-	N240F



CELfour

All information contained in the present brochure is subject to confirmation at time of ordering

Please visit us on the internet at <http://www.acmarine.dk>