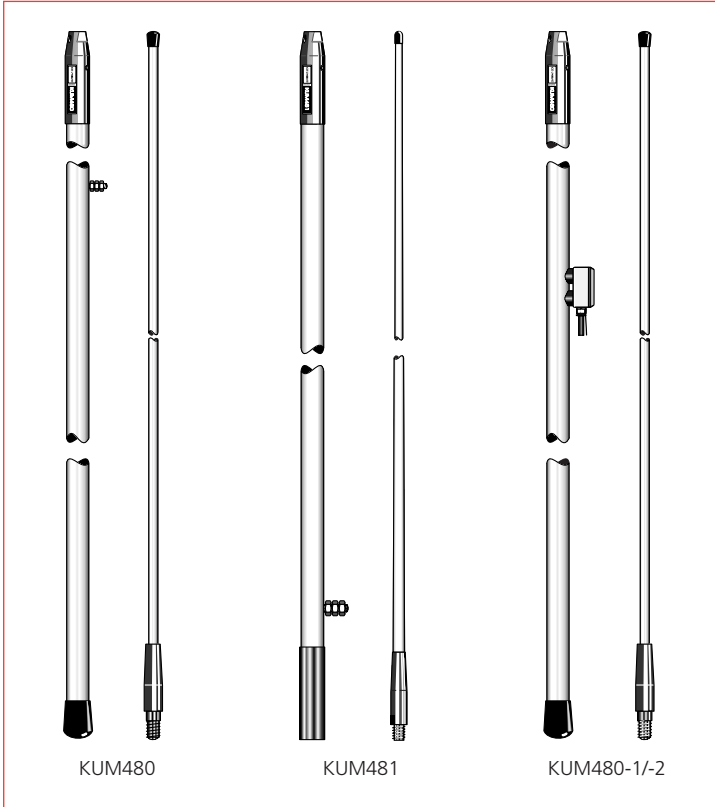


**General Description**



**KUM480/KUM481**

The 4.8m (16') HF/SSB antenna balances length with performance. A 2-section construction.

The KUM480 is for mast mounting, and the KUM481 for mounting directly on 1"-14 threaded mounts.

**KUM480-1**

With connection box for use when using coaxial cable.

**KUM480-2**

With connection transformer box for receiving purpose only.

The transformer is recommended if the antenna is used at low frequencies

(0.15-30MHz) or when long cable feeding is necessary.

**KUM481** can also be delivered with connection box or connection transformer box on request.

**Mounting hardware available as option:**

For mast mounting: N070F, N075F, N080F, N085F and N090F (see page 26 for details)  
 Note: Two clamps required for each antenna.  
 For KUM481 a N200F upper support is required.

The connection boxes can be purchased separately as follows:

- K483F: Connection box
- K493F: Connection Transformer box

**Electrical Specifications**

Model:	KUM480	KUM481
Frequency Range - [MHz]	1.4-30	1.4-30
Polarization	Vertical	Vertical
Insulation Resistance	>10 E9	>10 E9
Maximum Power [watts]	500	500
Static Capacity - [pF]	55	55
Maximum HF Voltage - [kV]	9	9

**Mechanical Specifications**

Model:	KUM480	KUM481
Length - [m/ft.]	4.8/15.7	4.8/15.7
Weight - [kg/lbs.]	2/4.4	2.2/4.9
Windload at 160 km/h - [N]	99	99
Mounting Supplied	-	-
Color	White	White

All information contained in the present brochure is subject to confirmation at time of ordering

Please visit us on the internet at <http://www.acmarine.dk>