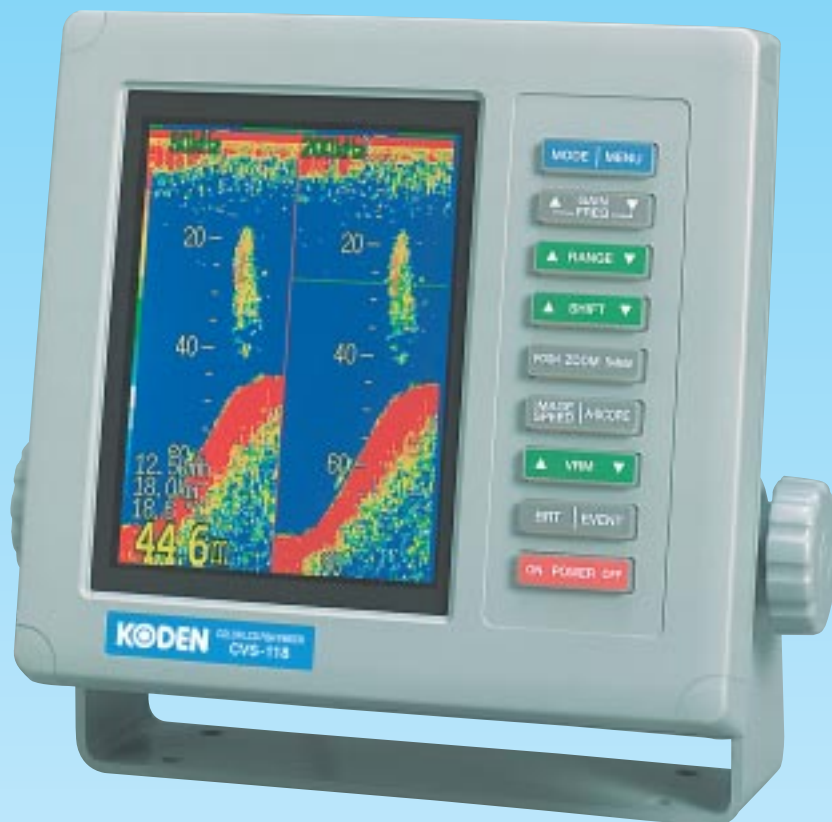


KODEN

5.6-INCH COLOR LCD FISH FINDER

CVS-118

*Compact,
fully-equipped,
easy-to-operate.
A leader in its class.*



FEATURES

- **Fully automatic**

Designed to plug in and display, the CVS-118 eliminates tedious settings. Optimum gain and depth range are automatically available.

- **Many screen display modes**

There's a wide choice of display modes. In the Fish Finding mode alone, you can select any combination between Normal + Bottom Lock, Partial Bottom Zoom, Normal + Partial Zoom.

- **High power**

At 300 W, the CVS-118 boasts the highest end output power in its class. Ideal for users needing more power for particular applications.

- **A-scope display**

A reliable fish image detection system allows you to determine fish school movements quicker.

- **Compact design**

You can install the small, light display unit almost anywhere (177 mm high, 188 mm wide and 105 mm deep).

- **Dual frequency**

Most popular combination of 50 kHz and 200 kHz is provided. Single frequency operation of either 50 kHz or 200 kHz or dual frequency operation can be selected.

- **Rich color tones available from 16 and 8 color palettes**

In 16 color palette you can select 3 color tones that best suit your application.

- **Water temperature display**

Water temperature can be monitored in graphic mode. (Optional temperature sensor is required.)

SPECIFICATIONS

Output	300 W																						
Display	6-inch color LCD (320 x 234 pixels)																						
Presentations colors	8 colors (red, orange, yellow, green, light green, white, light blue, blue)/back ground color (blue) or 16 colors (8 colors and half tone)/back ground color (blue, dark blue or green)																						
Choice of frequency	Dual freq.: 50/200 kHz																						
Depth range	5, 10, 20, 40, 80, 120, 160, 240, 320 (Meters, Hiro, Fathoms, Italian Fathoms) or 10, 20, 40, 80, 160, 320, 480, 640, 960, 1280 (feet)																						
Max. depth with shift	Automatic or manual, Max. 640 (Meters, Hiro, Fathoms, Italian Fathoms) or 2,560 (feet)																						
Zoom range/bottom range	1/2, 1/4 and 1/8 of the selected depth range (Meters, Hiro, Fathoms, Italian Fathoms, Feet), Min. 2.5 (Meters, Hiro, Fathoms, Italian Fathoms) or 10 (feet)																						
Zoom position	Settable within the displayed depth range (at an interval of 12.5% of the displayed range)																						
Presentation mode	<table border="1" style="display: inline-table; vertical-align: middle;"> <tr> <td>N</td> <td>S</td> <td>N</td> <td>S</td> <td>N</td> <td>S</td> <td>N</td> <td>S</td> <td>B.Z</td> <td>N</td> <td>S</td> </tr> <tr> <td></td> <td></td> <td>N</td> <td>S</td> <td>B</td> <td>B</td> <td>B.D</td> <td>B.D</td> <td></td> <td>Z</td> <td>Z</td> </tr> </table> <p>N: Normal or auto range S: Shift or auto shift range B: Bottom lock B.D: Bottom discrimination B.Z: Bottom zoom Z: Zoom</p> <p>Vertical or horizontal split screen display is available on the above modes. MENU, A-scope or navigational data display is available in all the above modes except the INITIAL MENU mode. The INITIAL MENU mode is provided for setting initial and other functional parameters.</p>	N	S	N	S	N	S	N	S	B.Z	N	S			N	S	B	B	B.D	B.D		Z	Z
N	S	N	S	N	S	N	S	B.Z	N	S													
		N	S	B	B	B.D	B.D		Z	Z													
Image display area	Vertically divided (top/bottom ratio: 1:1, except bottom lock image 2:1), horizontally divided (left/right ratio is 1:1), MENU (right part : 50%), A-scope (right part: 27%)																						
Audible alarm	Fish alarm and sea bottom alarm																						
Image speed	Fixed 5 speeds (2/1, 1/1, 1/2, 1/4 and 1/8) and STOP																						
Interference rejection	2 levels																						
Color rejection	14 levels																						
Marker	Depth marker (VRM), scale, expanded position marker, division marker, alarm range marker, time marker, color pattern																						
Event memory	1 : depth, water temperature (water temperature data is required, OPTION), boat position (position data is required, OPTION)																						
Other functions	Gain (automatic and manual), panel illumination, draft adjustment, switching of internal/external synchronous signal, pulse length selection, speed compensation, water temperature compensation, external echo sounder connection																						
Navigational data	Boat position (latitude/longitude in 0.001 minute increments, Loran C LOP 0.1 minute increments), water temperature (°C/°F/Graphic display), boat speed (KT/MPH/KM), trip mileage (NM/SM/KM), boat bearing																						
Input data format	NMEA-0182, NMEA-0183 (GGA, GLL, GNS, GTD, HDM, MTW, VTG), DC400 (HDM)																						
Output data format	NMEA-0183 (DBS, DBT, DPT, MTW, VHW)																						
Power supply	10.8 to 31.2 VDC																						
Power consumption	15 W or less (at 12 VDC)																						
Environmental condition	-15 to +55 °C (5 to 131 °F)																						

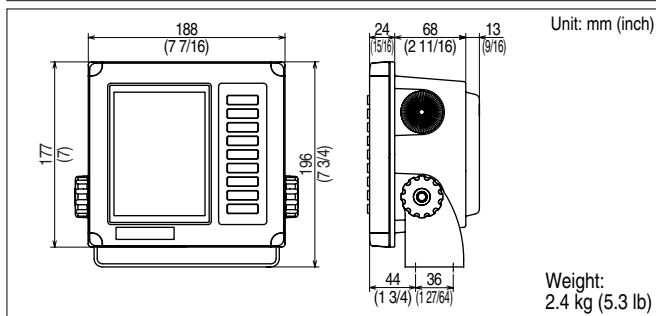
EQUIPMENT LIST

Standard equipment		Prices are subject to frequency of the transducer.	
Display unit		With mounting bracket, knobs	1
Transducer		With transducer cable, one end connector	1 set
DC power cable	CW-205-1	2 m (6 9/16 ft), with 2-pin connector	1
Food	C26MB21155		1
Cover	C26MB21022		1
Fuse	F-7142-3A	For spare	2
Truss tapping screw	TPT 5 x 20U	For display unit mounting	4
Operation manual			1

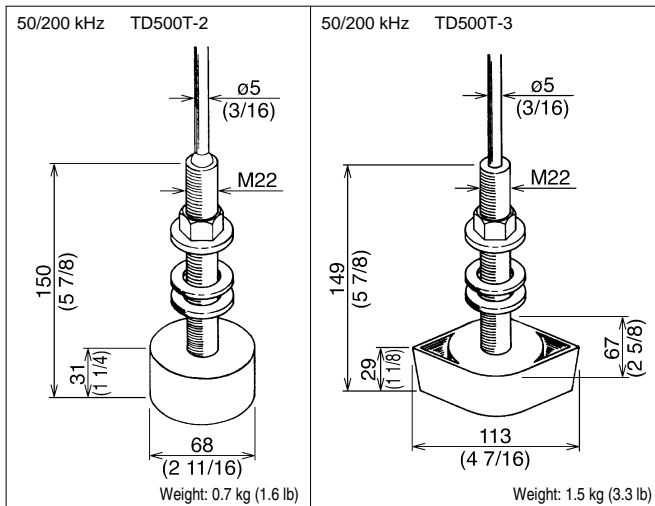
Option

SPEED/TEMP sensor	ST-80	Installing the transom, plastic type (with cable)
	ST-90	Installing the thru-hull, plastic type (with cable)
	ST-100	Installing the thru-hull, bronze type (with cable)
Connecting cable	CW-153A	5 m (16 3/8 ft), with 6 pin connectors
	CW-154A	5 m (16 3/8 ft), with 6 pin connector and one end plain
	CW-155	5 m (16 3/8 ft), with BNC connector/6 pin connector
	CW-351/327	5 m (16 3/8 ft), with 6 pin connectors
Inner hull kit	MFB-04	Resin
Power rectifier	PS-003A	With two fuse (5 A)
AC power cable	VV-2D8	3 m (9 13/16 ft), Both end plains

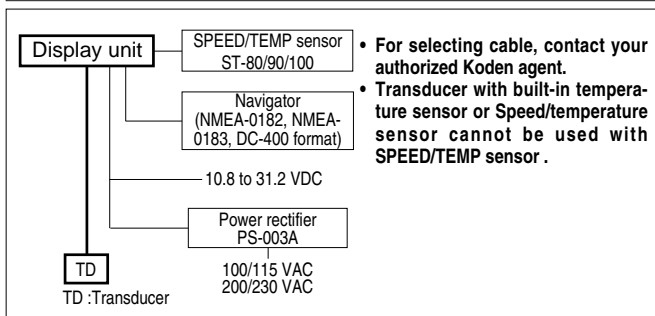
DIMENSIONS AND WEIGHT



TRANSDUCERS



CONNECTIONS



* Specifications subject to change without notice.

SELEX Communications Ltd
Marconi House
New Street
Chelmsford
Essex
CM1 1PL
United Kingdom

Tel: +44 (0)1245 275588
Fax: +44 (0)1245 275689
Email: marine-sales@selex-comms.com
www.selexmarine.com

SELEX
Communications
a Finmeccanica Company

Certified to ISO 9001 (TUV PRODUCT SERVICE)



Safety precaution

To ensure proper and safe use of the equipment, please carefully read and follow the instructions in the **OPERATION MANUAL**.

FOR DETAILS, PLEASE CONTACT: